



1-877-PLAYSYSTEMS (752-9797)

[www.creativesystems.com](http://www.creativesystems.com)

[estimating@creativesystems.com](mailto:estimating@creativesystems.com)

# SKYSPAN Umbrellas

## HORIZON RANGE

### Centre Mast Non Retractable Umbrellas

Skyspan's wind rated Non Retractable Umbrellas are engineered and manufactured in Australia using state of the art materials that provide strength, elegance and durability.

The combination of structural grade aluminium frames with translucent architectural grade PVDF skins, suitable for the harshest of conditions and wind rated to 75 mph, (W33) makes the Horizon Umbrella truly unique.



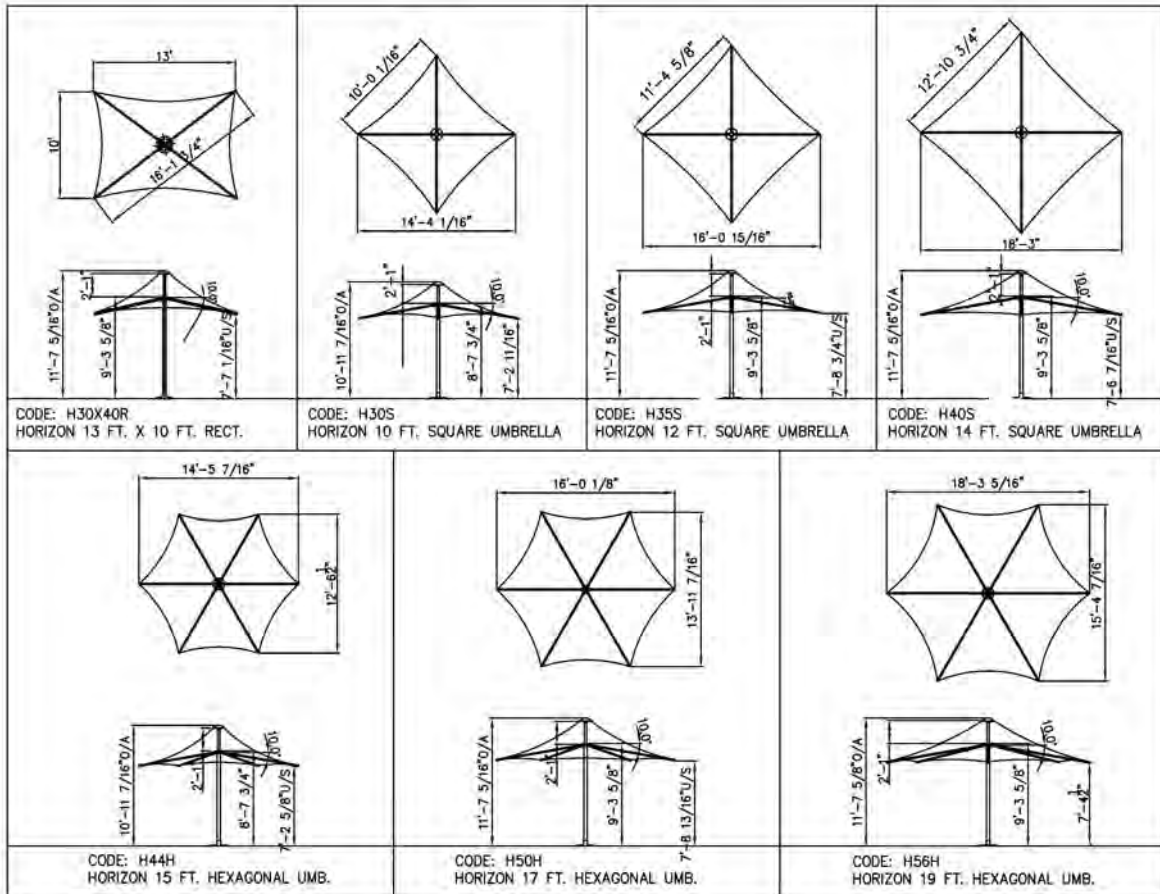
## Special Features

- Low maintenance, heat reflective, UV treated, fully welded membrane.
- Stainless steel edge cable for even tension of roof material.
- All metal work is structural aluminium or stainless steel with a powder coat finish.
- Optional internal lighting, heating and clear drop curtain applications.
- 5 year warranty on frame.
- 2 year warranty on fabric.
- 10 year anti rust policy.

Simple Innovative Affordable  
[www.skyspan-umbrellas.com](http://www.skyspan-umbrellas.com)

Some of Skyspan's  
Optional extras

# HORIZON RANGE



## HORIZON UMBRELLA'S RANGE BROCHURE

### Ferrari 502 Colour range



[www.skyspan-umbrellas.com](http://www.skyspan-umbrellas.com)

Your Skyspan Agent:



## HORIZON RANGE

### Centre Mast Non Retractable Umbrellas

Skyspan's wind rated Non Retractable Umbrellas are engineered and manufactured in Australia using state of the art materials that provide strength, elegance and durability.

The combination of structural grade aluminium frames with translucent architectural grade PVDF skins, suitable for the harshest of conditions and wind rated to 120 kph, (W33) makes the Horizon Umbrella truly unique.



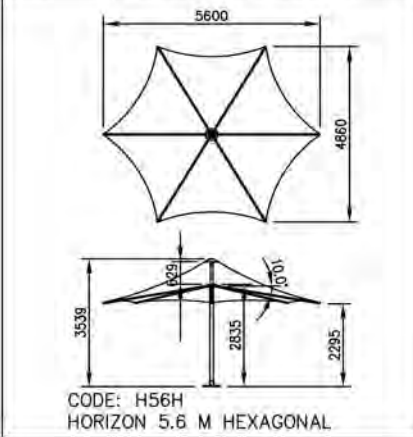
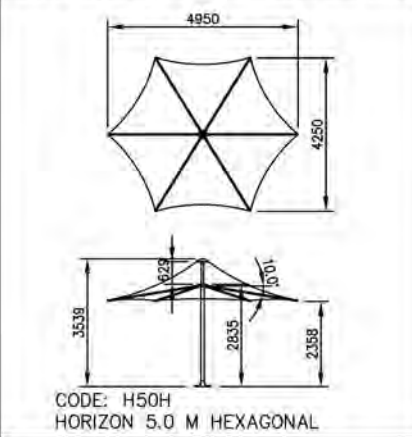
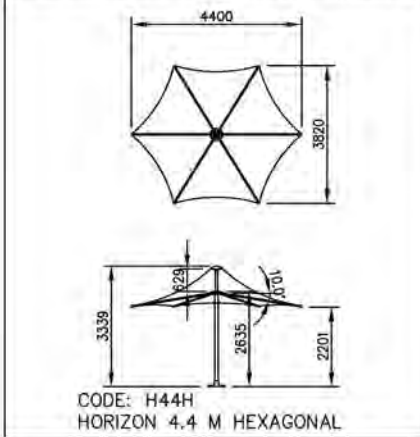
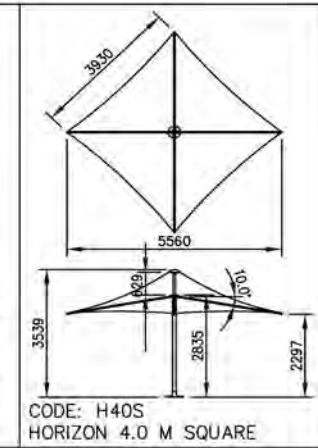
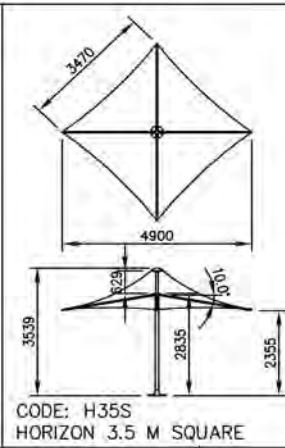
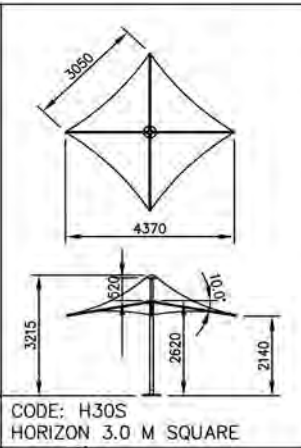
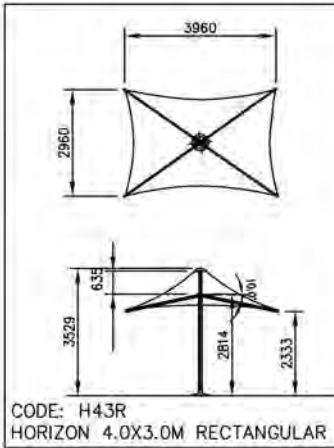
## Special Features

- Low maintenance, heat reflective, UV treated, fully welded membrane.
- Stainless steel edge cable for even tension of roof material.
- All metal work is structural aluminium or stainless steel with a powder coat finish.
- Optional internal lighting, heating and clear drop curtain applications.
- 5 year warranty on frame.
- 2 year warranty on fabric.
- 10 year anti rust policy.

Simple Innovative Affordable  
[www.skyspan-umbrellas.com.au](http://www.skyspan-umbrellas.com.au)

Some of Skyspan's  
Optional extras

# HORIZON RANGE



## HORIZON UMBRELLA RANGE BROCHURE

### Ferrari 502 Colour range



[www.skyspan-umbrellas.com.au](http://www.skyspan-umbrellas.com.au)

Your Skyspan Agent:

# SKYSPAN Umbrellas



## PANORAMA RANGE

### Fixed Perimeter Frame Umbrellas

Skyspan's fixed perimeter framed umbrellas are designed, engineered and manufactured in Australia using state of the art materials that give strength, elegance and durability.

The Panorama range has been designed to incorporate clear drop curtains with a water flow controlled gutter system that can be attached to the perimeter frame providing the ultimate outdoor entertaining solution for all seasons.

Skyspan has created a unique umbrella that is suitable for the harshest of conditions by combining structural grade steel frames with translucent architectural grade PVDF skins which are wind rated up to 93 mph (W41).



## Special Features

- Low maintenance, heat reflective, UV treated, fully welded membrane.
- Structural grade steel frame hot dipped galvanised and powder coated.
- Perimeter frame water flow controlled gutter system.
- Detachable clear drop curtains.
- Single skin – therefore no infill panels.
- Umbrellas can be linked together with joined or singular skins.
- Optional internal lighting, heating and clear drop curtain applications.
- 5 year warranty on frame.
- 5 year warranty on canopy.

Simple Innovative Affordable  
[www.skyspan-umbrellas.com](http://www.skyspan-umbrellas.com)

# PANORAMA RANGE

<p>CODE : P30SC 10 FT. SQ. FIXED PERIMETER CANTILEVER FRAME</p>	<p>CODE : P40SC 14 FT. SQ. FIXED PERIMETER CANTILEVER FRAME</p>	<p>CODE : P50SC 17 FT. SQ. FIXED PERIMETER FRAME CANTILEVER FRAME</p>	<p>CODE : P60SC 20 FT. SQ. FIXED PERIMETER FRAME CANTILEVER FRAME</p>	<p>CODE : P50SG 17 FT. SQ. FIXED PERIMETER FRAME GAZEBO FRAME</p>	<p>CODE : P60SG 20 FT. SQ. FIXED PERIMETER FRAME GAZEBO FRAME</p>
<p>CODE : P30S 10 FT. SQ. FIXED PERIMETER CENTRE COLUMN FRAME</p>	<p>CODE : P40S 14 FT. SQ. FIXED PERIMETER CENTRE COLUMN FRAME</p>	<p>CODE : P50S 17 FT. SQ. FIXED PERIMETER FRAME CENTRE COLUMN</p>	<p>CODE : P60S 20 FT. SQ. FIXED PERIMETER FRAME CENTRE COLUMN</p>	<p>CODE : P60SG 20 FT. SQ. FIXED PERIMETER FRAME GAZEBO FRAME</p>	

**PANORAMA RANGE BROCHURE**

**Ferrari 502 Colour range**

502 - 8102	502 - 8341	502 - 8199	502 - 8151	502 - 8552
502 - 8115	502 - 8861	502 - 8204	502 - 8053	502 - 8518
502 - 8450	502 - 8875	502 - 8250	502 - 8611	502 - 8003
502 - 8390	502 - 1013	502 - 8255	502 - 8060	502 - 8001
502 - 8358	502 - 8116	502 - 8256	502 - 8056	502 - 1125
502 - 8400	502 - 1016	502 - 8265	502 - 8284	502 - 8296



[www.skyspan-umbrellas.com](http://www.skyspan-umbrellas.com)

**Your Skyspan Agent:**



## PANORAMA RANGE

### Fixed Perimeter Frame Umbrellas

Skyspan's fixed perimeter framed umbrellas are designed, engineered and manufactured in Australia using state of the art materials that give strength, elegance and durability.

The Panorama range has been designed to incorporate clear drop curtains with a water flow controlled gutter system that can be attached to the perimeter frame providing the ultimate outdoor entertaining solution for all seasons.

Skyspan has created a unique umbrella that is suitable for the harshest of conditions by combining structural grade steel frames with translucent architectural grade PVDF skins which are wind rated up to 150 kph (W41).



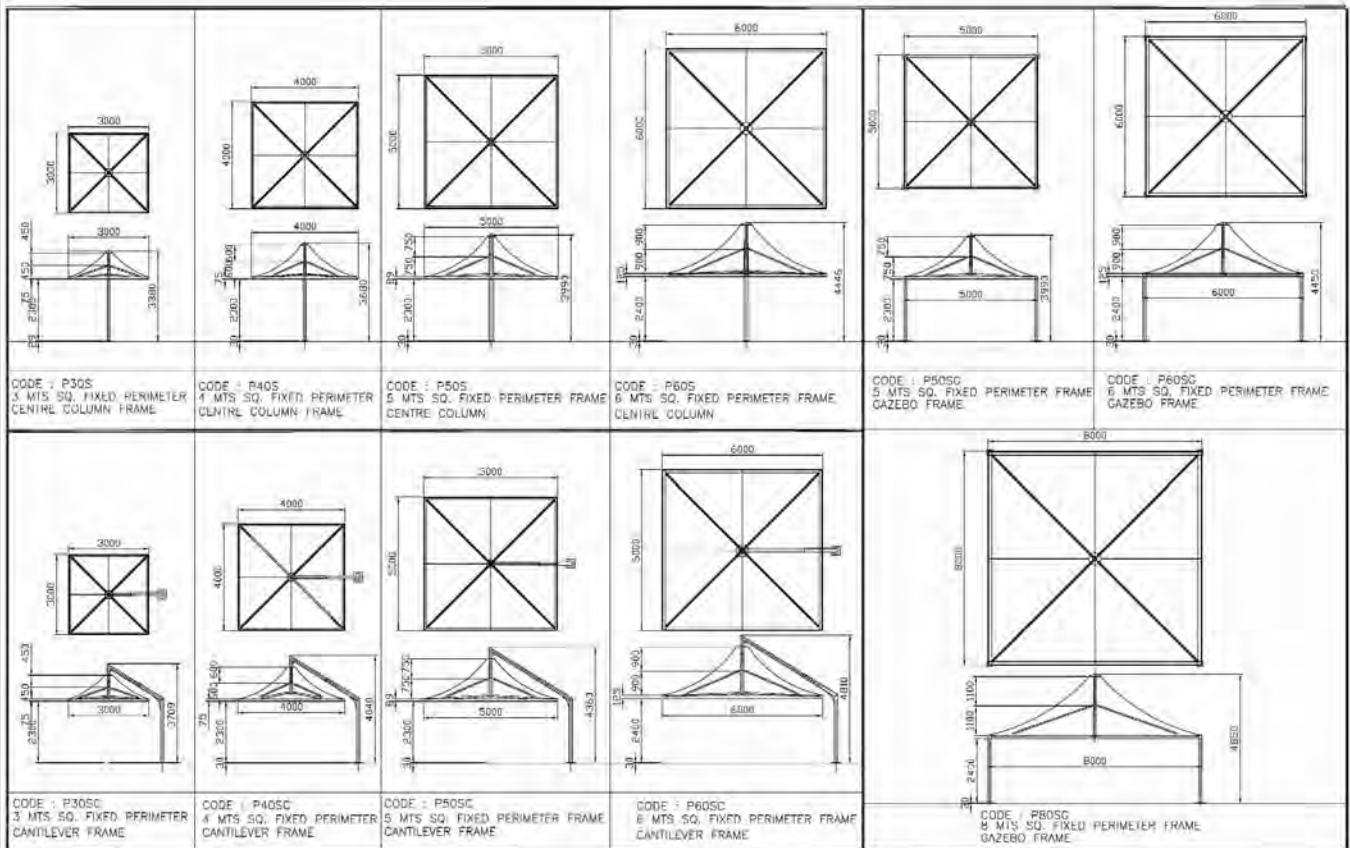
## Special Features

- Low maintenance, heat reflective, UV treated, fully welded membrane.
- Stainless steel edge cable for even tension of roof material.
- All metal work is structural aluminium or stainless steel with a powder coat finish.
- Optional internal lighting, heating and clear drop curtain applications.
- 5 year warranty on frame.
- 2 year warranty on fabric.
- 10 year anti rust policy.

Simple Innovative Affordable  
[www.skyspan-umbrellas.com.au](http://www.skyspan-umbrellas.com.au)



# PANORAMA RANGE



PANORAMA RANGE BROCHURE

## Ferrari 502 Colour range



[www.skyspan-umbrellas.com.au](http://www.skyspan-umbrellas.com.au)

Your Skyspan Agent:

# SKYSPAN Umbrellas

## SUNSET RANGE

### Centre Mast Retractable Static Umbrellas

The Skyspan Retractable Umbrellas are engineered and manufactured in Australia using state of the art materials to give strength, elegance and durability.

The Retractable Umbrella range has been wind rated by engineers enduring up to 75 mph (K33) when erect and 93 mph (W141) when retracted.

After many years of engineering and endurance testing, Skyspan offers an umbrella that will surpass all expectations.



#### Please Note:

Portables are wind rated to 60 mph Fabric used on portables is GL 1000 Fabric used on all other umbrellas is Ferrari 502S



## Special Features

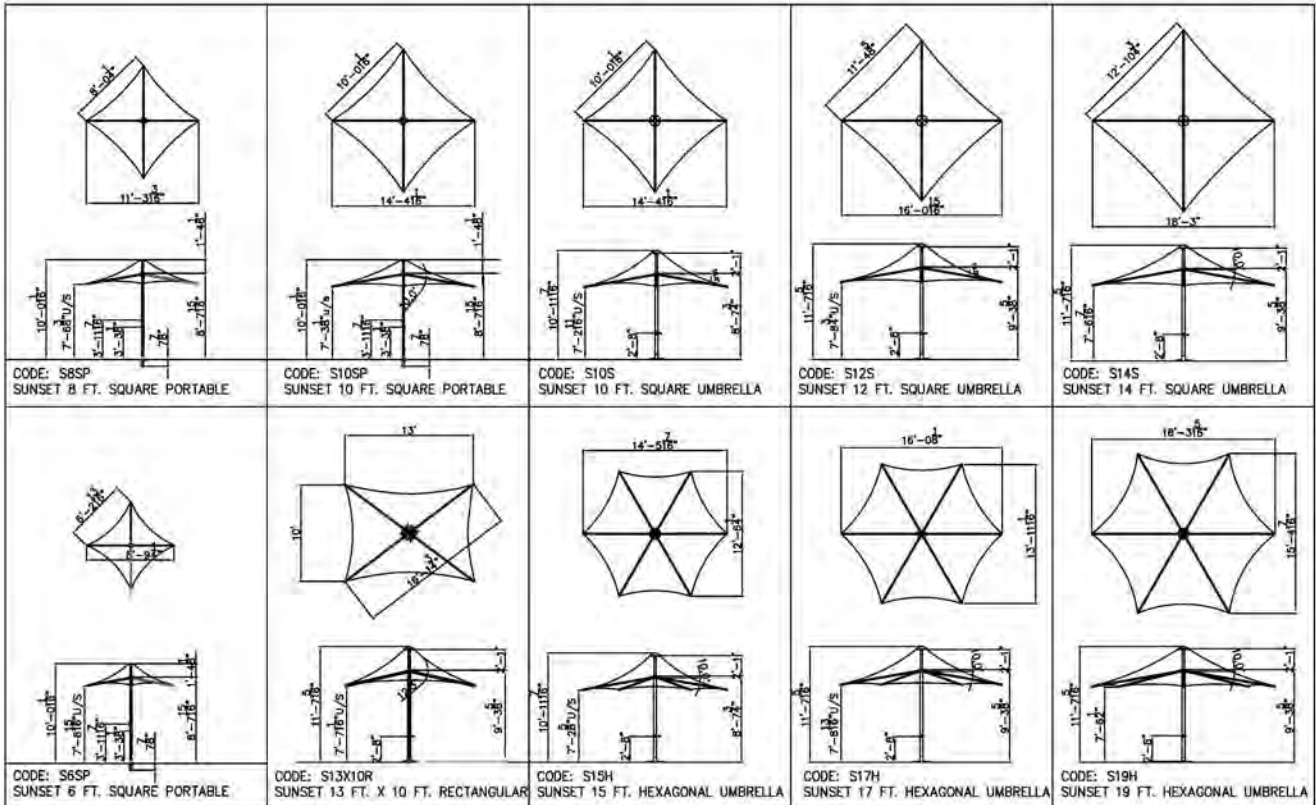
- Low maintenance, heat reflective, UV treated, fully welded membrane.
- Stainless steel edge cable for even tension of roof material.
- Purpose built internal mechanism for ease and speed of mobilizing canopy.
- Removable handle (with stop) to raise and lower canopy.

- All metal work is structural aluminium or stainless steel with a powder coat finish.
- 10 Year anti rust policy.
- 2 year warranty on canopy.
- 5 year warranty on frame.
- 1 year warranty on Portable.
- Optional internal lighting, heating and clear drop curtain applications.

Simple Innovative Affordable  
[www.skyspan-umbrellas.com](http://www.skyspan-umbrellas.com)

Some of Skyspan's  
Optional extras

# SUNSET RANGE



## SUNSET UMBRELLA RANGE BROCHURE

### Ferrari 502 Colour range



[www.skyspan-umbrellas.com](http://www.skyspan-umbrellas.com)

Your Skyspan Agent:

# SKYSPAN Umbrellas

## SUNSET RANGE

### Centre Mast Retractable Static Umbrellas

The Skyspan Retractable Umbrellas are engineered and manufactured in Australia using state of the art materials to give strength, elegance and durability.

The Retractable Umbrella range has been wind rated by engineers enduring up to 120 kph (K33) when erect and 150 kph (W141) when retracted.

After many years of engineering and endurance testing, Skyspan offers an umbrella that will surpass all expectations.



#### Please Note:

Portables are wind rated to 60 Kph Fabric used on portables is GL 1000 Fabric used on all other umbrellas is Ferrari 502S



## Special Features

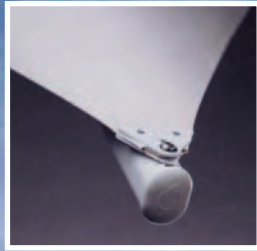
- Low maintenance, heat reflective, UV treated, fully welded membrane.
- Stainless steel edge cable for even tension of roof material.
- Purpose built internal mechanism for ease and speed of mobilizing canopy.
- Removable handle (with stop) to raise and lower canopy.

- All metal work is structural aluminium or stainless steel with a powder coat finish.
- 10 Year anti rust policy.
- 2 year warranty on canopy.
- 5 year warranty on frame.
- 1 year warranty on Portable.
- Optional internal lighting, heating and clear drop curtain applications.

Simple Innovative Affordable  
[www.skyspan-umbrellas.com.au](http://www.skyspan-umbrellas.com.au)

Some of Skyspan's  
Optional extras

# SUNSET RANGE



<p>CODE: S24SP SUNSET 2.4 M SQUARE PORTABLE</p>	<p>CODE: S30SP SUNSET 3.0 M SQUARE PORTABLE</p>	<p>CODE: S30S SUNSET 3.0 M SQUARE UMBRELLA</p>	<p>CODE: S35S SUNSET 3.5 M SQUARE UMBRELLA</p>	<p>CODE: S40S SUNSET 4.0 M SQUARE UMBRELLA</p>
<p>CODE: S19SP SUNSET 1.9 M SQUARE PORTABLE</p>	<p>CODE: S43R SUNSET 4.0M X 3.0M RECTANGULAR</p>	<p>CODE: S44H SUNSET 4.4 M HEXAGONAL UMBRELLA</p>	<p>CODE: S50H SUNSET 5.0 M HEXAGONAL UMBRELLA</p>	<p>CODE: S56H SUNSET 5.0 M HEXAGONAL UMBRELLA</p>

**SUNSET UMBRELLA'S RANGE BROCHURE**

Ferrari 502 Colour range

502 - 8102	502 - 8341	502 - 8199	502 - 8151	502 - 8552
502 - 8115	502 - 8861	502 - 8204	502 - 8053	502 - 8518
502 - 8450	502 - 8875	502 - 8250	502 - 8611	502 - 8003
502 - 8390	502 - 1013	502 - 8255	502 - 8060	502 - 8001
502 - 8358	502 - 8116	502 - 8256	502 - 8056	502 - 1125
502 - 8400	502 - 1016	502 - 8265	502 - 8284	502 - 8296



[www.skyspan-umbrellas.com.au](http://www.skyspan-umbrellas.com.au)

**Your Skyspan Agent:**



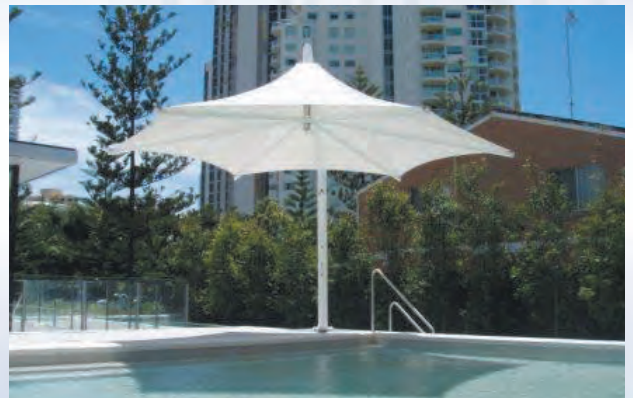
## VISTA RANGE

### Cantilever Retractable Static Umbrellas

The Skyspan Cantilever Umbrellas are engineered and manufactured in Australia using state of the art materials to give strength, elegance and durability.

Structural grade steel frames, combined with the aluminium arms and winding mechanism with translucent architectural grade PVDF skins, offers a unique umbrella suitable for the harshest weather conditions.

The Cantilever Umbrella range is wind rated by engineers up to 75 mph (W33).



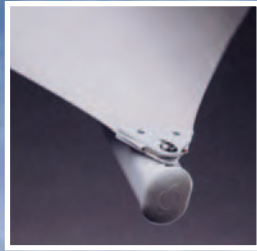
## Special Features

- Low maintenance, heat reflective, UV treated, fully welded membrane.
- Stainless steel edge cable for even tension of roof material.
- Structural grade steel frame mast and cantilever arm, Hot dipped Galvernised and then powder coated.
- Arms and winding mechanism are aluminium.
- Retractable winding mechanism allowing for the arms to collapse in extreme weather.
- Optional internal lighting and clear drop curtains.
- 5 year warranty on the frame.
- 2 year warranty on the canopy.
- 360 degree swivel base available.

Simple Innovative Affordable  
[www.skyspan-umbrellas.com](http://www.skyspan-umbrellas.com)

Some of Skyspan's  
Optional extras

# VISTA RANGE



<p>CODE: V30SC VISTA 10 FT. SQUARE CANTILEVER</p>	<p>CODE: V35SC VISTA 12 FT. SQUARE CANTILEVER</p>	<p>CODE: V40SC VISTA 14 FT. SQUARE CANTILEVER</p>	<p>CODE: V50SC VISTA 17 FT. SQUARE CANTILEVER</p>
<p>CODE: V30X40RC VISTA 13 FT. X 10 FT. REC. CANT.</p>	<p>CODE: V44HC VISTA 15 FT. HEX. CANTILEVER</p>	<p>CODE: V50HC VISTA 17 FT. HEX. CANTILEVER</p>	<p>CODE: V56HC VISTA 19 FT. HEX. CANTILEVER</p>

VISTA UMBRELLA'S RANGE BROCHURE

Ferrari 502 Colour range

502 - 8102	502 - 8341	502 - 8199	502 - 8151	502 - 8552
502 - 8115	502 - 8861	502 - 8204	502 - 8053	502 - 8518
502 - 8450	502 - 8875	502 - 8250	502 - 8611	502 - 8003
502 - 8390	502 - 1013	502 - 8255	502 - 8060	502 - 8001
502 - 8358	502 - 8116	502 - 8256	502 - 8056	502 - 1125
502 - 8400	502 - 1016	502 - 8265	502 - 8284	502 - 8296



[www.skyspan-umbrellas.com](http://www.skyspan-umbrellas.com)

Your Skyspan Agent:

# SKYSPAN Umbrellas



Simple Innovative Affordable  
[www.skyspan-umbrellas.com.au](http://www.skyspan-umbrellas.com.au)

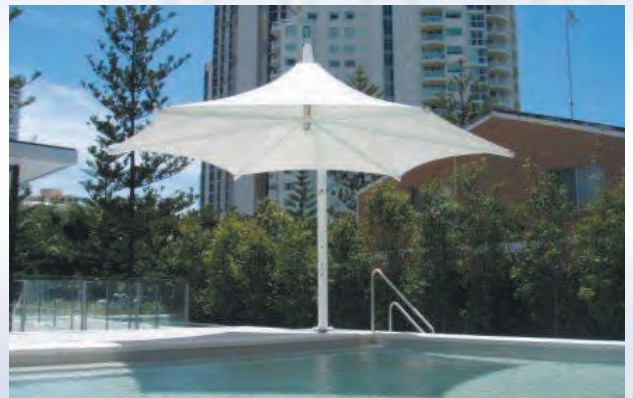
## VISTA RANGE

### Cantilever Retractable Static Umbrellas

The Skyspan Cantilever Umbrellas are engineered and manufactured in Australia using state of the art materials to give strength, elegance and durability.

Structural grade steel frames, combined with the aluminium arms and winding mechanism with translucent architectural grade PVDF skins, offers a unique umbrella suitable for the harshest weather conditions.

The Cantilever Umbrella range is wind rated by engineers up to 120 kph (W33).



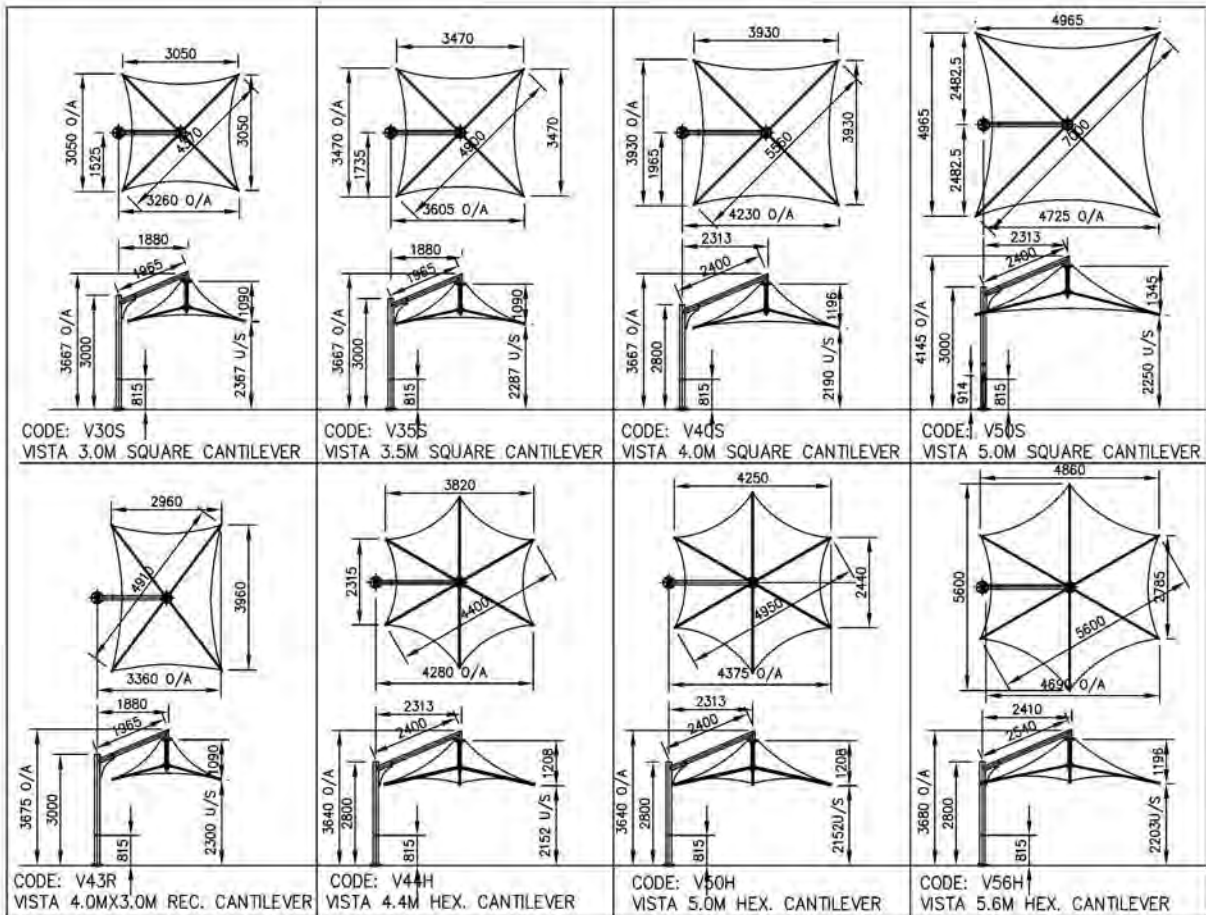
## Special Features

- Low maintenance, heat reflective, UV treated, fully welded membrane.
- Stainless steel edge cable for even tension of roof material.
- Structural grade steel frame mast and cantilever arm, Hot dipped Galvernised and then powder coated.
- Arms and winding mechanism are aluminium.
- Retractable winding mechanism allowing for the arms to collapse in extreme weather.
- Optional internal lighting and clear drop curtains.
- 5 year warranty on the frame.
- 2 year warranty on the canopy.
- 360 degree swivel base available.



Some of Skyspan's  
Optional extras

# VISTA RANGE



VISTA UMBRELLA'S RANGE BROCHURE

Ferrari 502 Colour range



[www.skyspan-umbrellas.com.au](http://www.skyspan-umbrellas.com.au)

Your Skyspan Agent:

# Introducing the new **Motorised Umbrella**



World leaders in commercial Umbrellas

**Skyspan Umbrellas, world leaders in umbrella and shade products, have introduced to their ever expanding range their new remote controlled Motorised Umbrella.**

With the touch of a button, the new Motorised Umbrella opens smoothly and silently, programmed to stop at the moment of correct tension. Powered by a Somfy motor concealed inside the column of the umbrella, opening and retracting your umbrella could not be easier.



The new motorised Umbrella is made to the same quality and standard of all Skyspan Umbrellas other popular range of umbrellas and is available in every centre post standard size. The motorised umbrella uses the same quality 10 year guaranteed mechanism successfully used in our manually retractable umbrellas, which has been specially adapted to accommodate the Somfy motor. Numerous umbrellas can be programmed into one single remote control, so with a touch of a single button, a number of umbrellas can be opened or retracted at once.

This new engineered product will not only impress patrons and clients but save valuable time for operators of Café's, restaurants, resorts, hotels, patios, pools and other outdoor entertainment venues.

For further information on Skyspans new Motorised range or for information on any of Skyspans wide range of umbrellas and shade products, please feel free to call us on 1300 667 176.

***The new motorised Umbrella is just another innovative way Skyspan is leading the shade industry and solving all your shade needs.***

[info@skyspan-umbrellas.com.au](mailto:info@skyspan-umbrellas.com.au)  
[www.skyspan-umbrellas.com.au](http://www.skyspan-umbrellas.com.au)

Phone (National): 1300 667 176  
Phone: (+61) 7 5546 8155  
Fax: (+61) 7 5546 8166

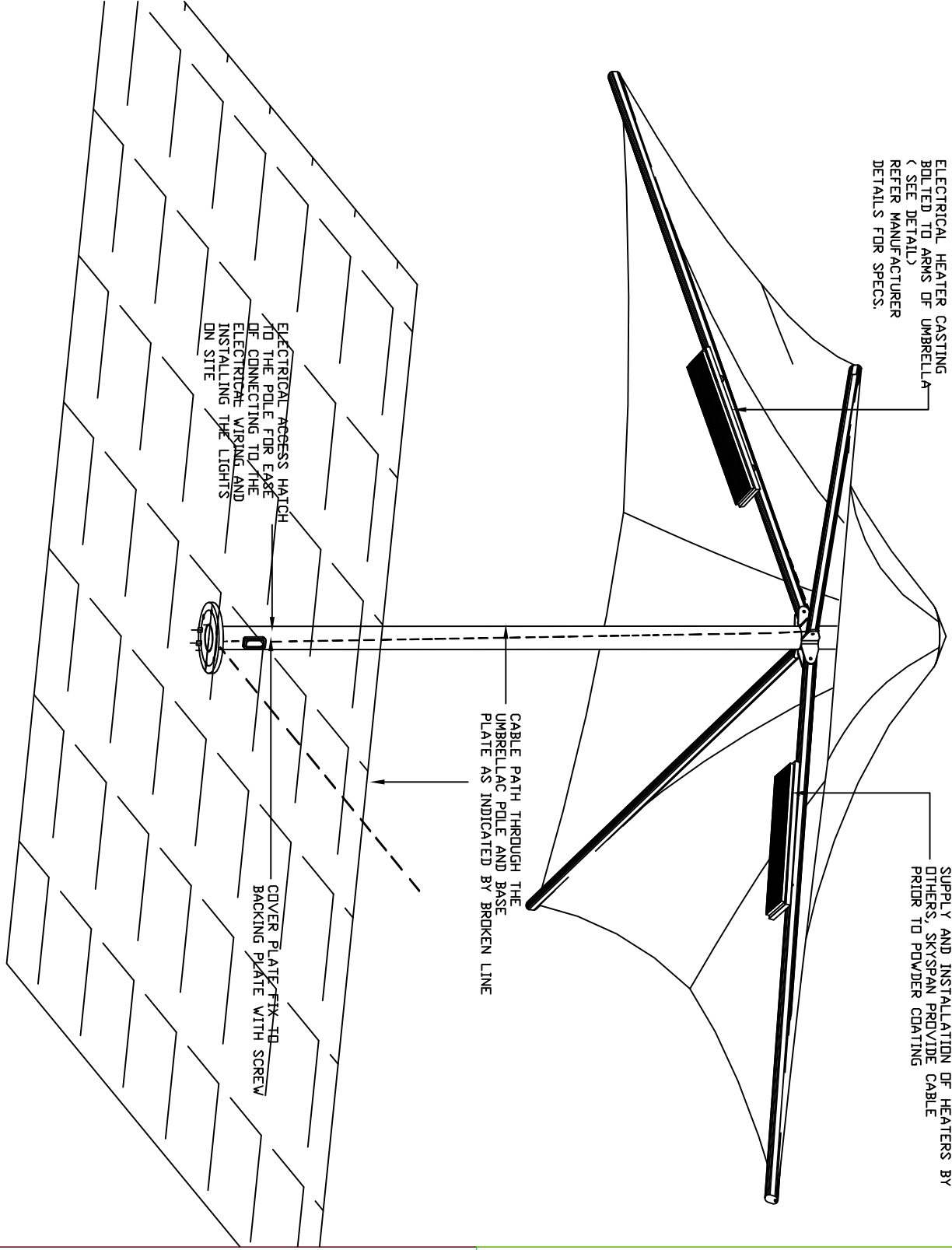
ELECTRICAL HEATER CASTING  
BOLTED TO ARMS OF UMBRELLA  
(SEE DETAIL)  
REFER MANUFACTURER  
DETAILS FOR SPECS.

SUPPLY AND INSTALLATION OF HEATERS BY  
OTHERS, SKYSPAN PROVIDE CABLE  
PRIOR TO POWDER COATING

CABLE PATH THROUGH THE  
UMBRELLAC POLE AND BASE  
PLATE AS INDICATED BY DASHED LINE

ELECTRICAL ACCESS HATCH  
TO THE POLE FOR EASE  
OF CONNECTING TO THE  
ELECTRICAL WIRING AND  
INSTALLING THE LIGHTS  
ON SITE

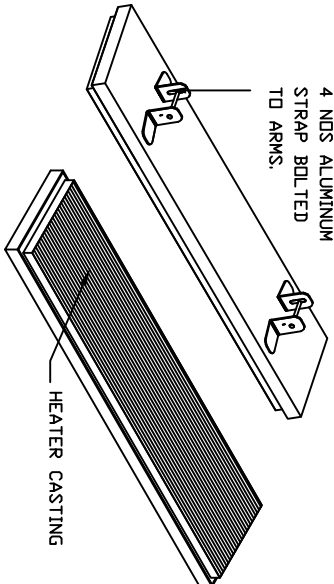
COVER PLATE FIX TO  
BACKING PLATE WITH SCREW



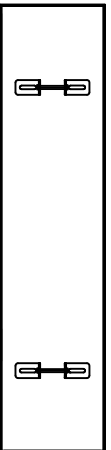
4 NOS ALUMINUM  
STRAP BOLTED  
TO ARMS.

HEATER CASTING

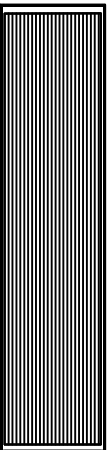
ISOMETRIC DETAIL



BACK



FRONT



NOTES: DIMENSIONS AND DETAILS VARIES UPON  
MANUFACTURER SPECS & RECOMMENDATION.  
ELECTRICAL HEATER DETAIL



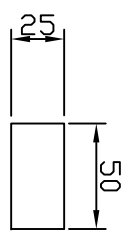
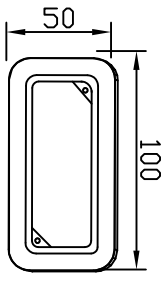
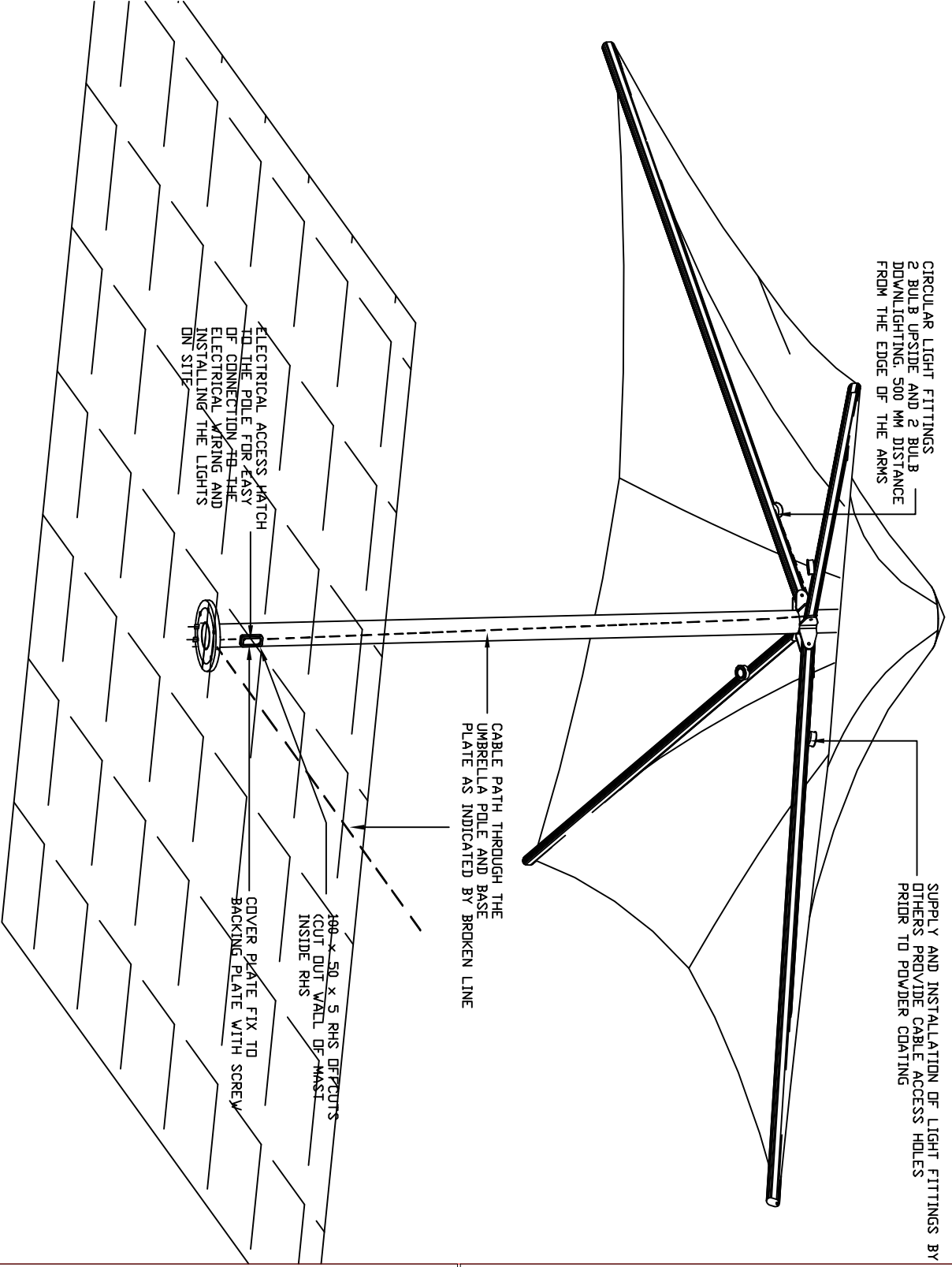
Skyspan Umbrellas Pty. Ltd.  
www.skyspan-umbrellas.com.au  
E-mail: info@skyspan-umbrellas.com.au  
Tel: +61(0)7 55 468 155  
Fax: +61(0)7 55 468 166

All drawings and details are confidential documents of Skyspan Umbrellas Pty. Ltd. The design is the property of Skyspan Umbrellas Pty. Ltd. and is not to be used or reproduced in any form without the written consent of Skyspan Umbrellas Pty. Ltd.

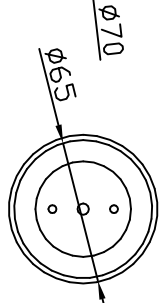
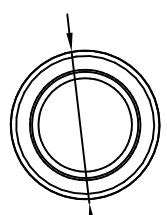
TYPICAL ELECTRICAL HEATER FITTING ARRANGEMENT  
ON HORIZON STANDARD UMBRELLA

CIRCULAR LIGHT FITTINGS  
2 BULB UPSIDE AND 2 BULB  
DOWNLIGHTING. 500 MM DISTANCE  
FROM THE EDGE OF THE ARMS

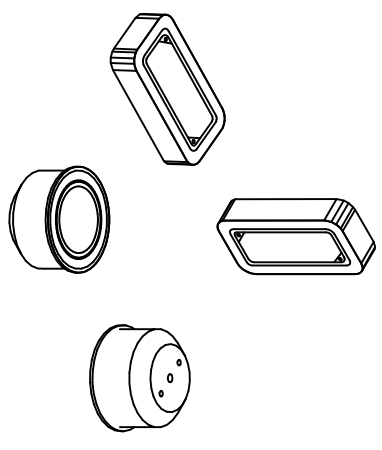
SUPPLY AND INSTALLATION OF LIGHT FITTINGS BY  
OTHERS PROVIDE CABLE ACCESS HOLES  
PRIOR TO POWDER COATING



ELECT. MAST ACCESS BOX



CIRCULAR LIGHT FITTINGS



ISOMETRIC VIEW



**Skyspan Umbrellas Pty. Ltd.**  
 www.skyspan-umbrellas.com.au  
 E-mail: info@skyspan-umbrellas.com.au  
 Tel: +61(0)7 55 468 155  
 Fax: +61(0)7 55 468 166

All drawings and details are confidential documents of Skyspan Umbrellas Pty. Ltd. The design and content of Skyspan Umbrellas Pty. Ltd. is the property of Skyspan Umbrellas Pty. Ltd.

TYPICAL LIGHT FITTING ARRANGEMENT  
ON HORIZON STANDARD UMBRELLA

Ferrari 502 Colour range

