



1-877-PLAYSYSTEMS (752-9797)

www.creativesystems.com

estimating@creativesystems.com

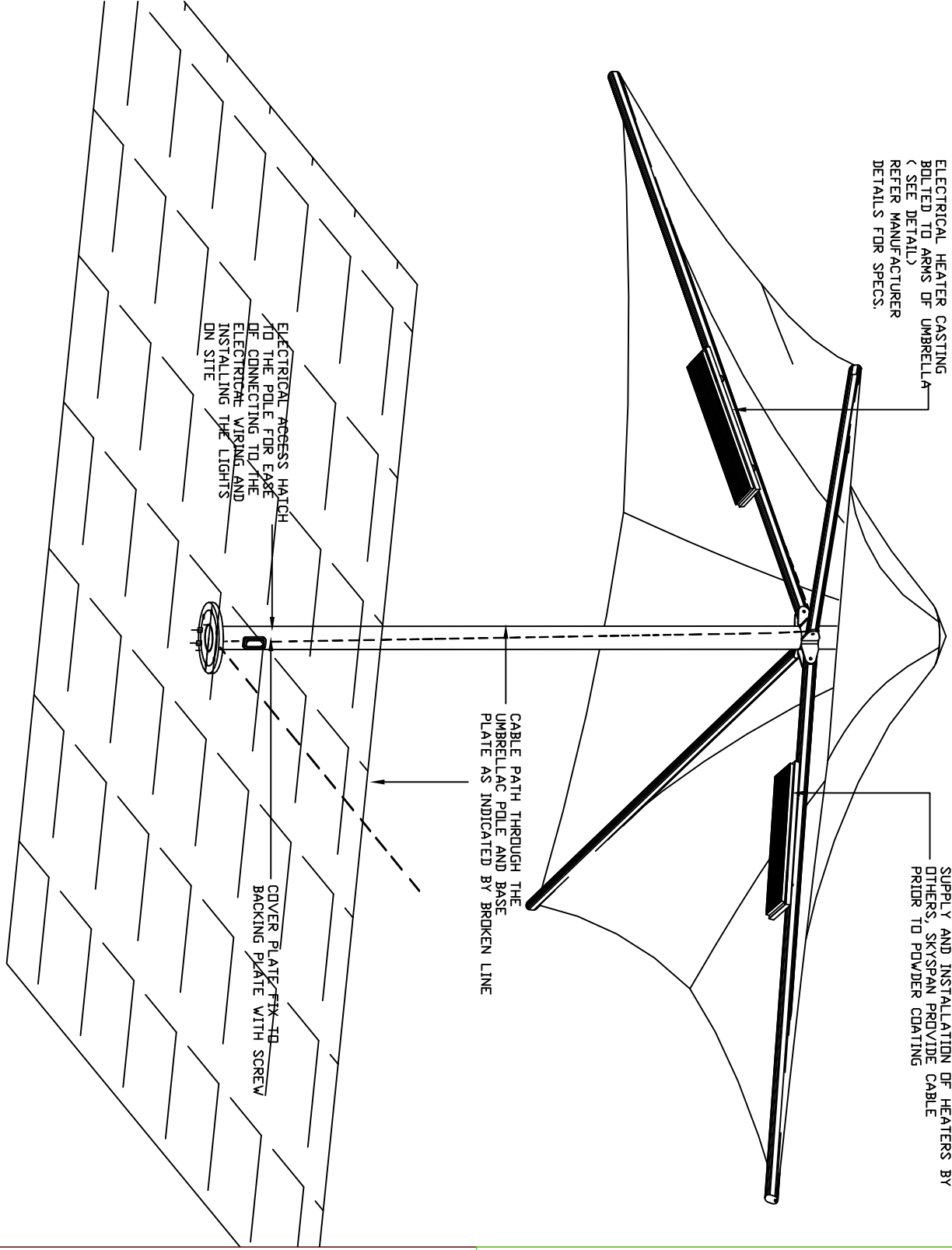
ELECTRICAL HEATER CASTING
BOLTED TO ARMS OF UMBRELLA
(SEE DETAIL)
REFER MANUFACTURER
DETAILS FOR SPECS.

SUPPLY AND INSTALLATION OF HEATERS BY
OTHERS, SKYSPAN PROVIDE CABLE
PRIOR TO POWDER COATING

CABLE PATH THROUGH THE
UMBRELLAC POLE AND BASE
PLATE AS INDICATED BY DASHED LINE

ELECTRICAL ACCESS HATCH
TO THE POLE FOR EASE
OF CONNECTING TO THE
ELECTRICAL WIRING AND
INSTALLING THE LIGHTS
ON SITE

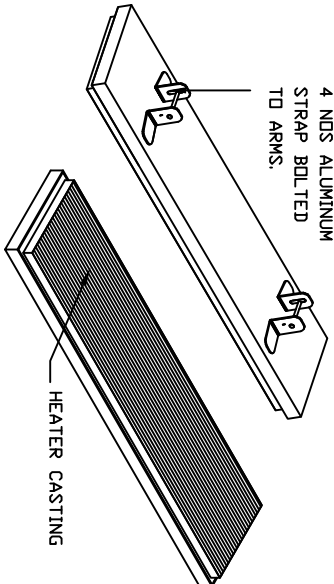
COVER PLATE FIX TO
BACKING PLATE WITH SCREW



4 NOS ALUMINUM
STRAP BOLTED
TO ARMS.

HEATER CASTING

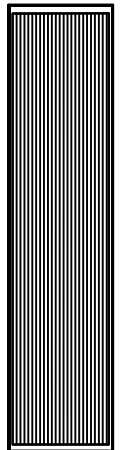
ISOMETRIC DETAIL



BACK



FRONT



NOTES: DIMENSIONS AND DETAILS VARIES UPON
MANUFACTURER SPECS & RECOMMENDATION.
ELECTRICAL HEATER DETAIL

TYPICAL ELECTRICAL HEATER FITTING ARRANGEMENT
ON HORIZON STANDARD UMBRELLA



Skyspan Umbrellas Pty. Ltd.
www.skyspan-umbrellas.com.au
E-mail: info@skyspan-umbrellas.com.au
Tel: +61(0)7 55 468 155
Fax: +61(0)7 55 468 166

All drawings and details are confidential documents of Skyspan Umbrellas Pty. Ltd. The
design is the property of Skyspan Umbrellas Pty. Ltd. and is not to be used or reproduced
in any form without the written consent of Skyspan Umbrellas Pty. Ltd.