



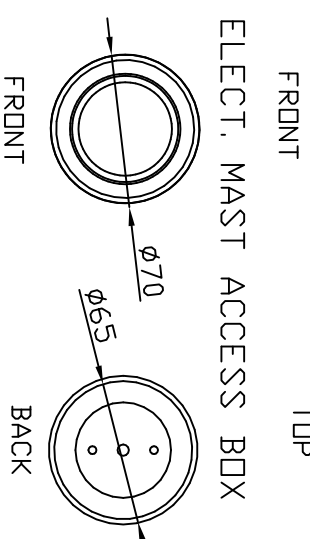
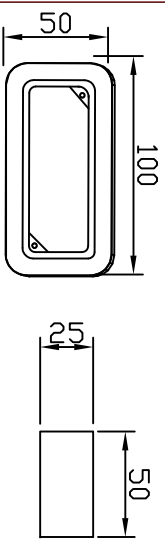
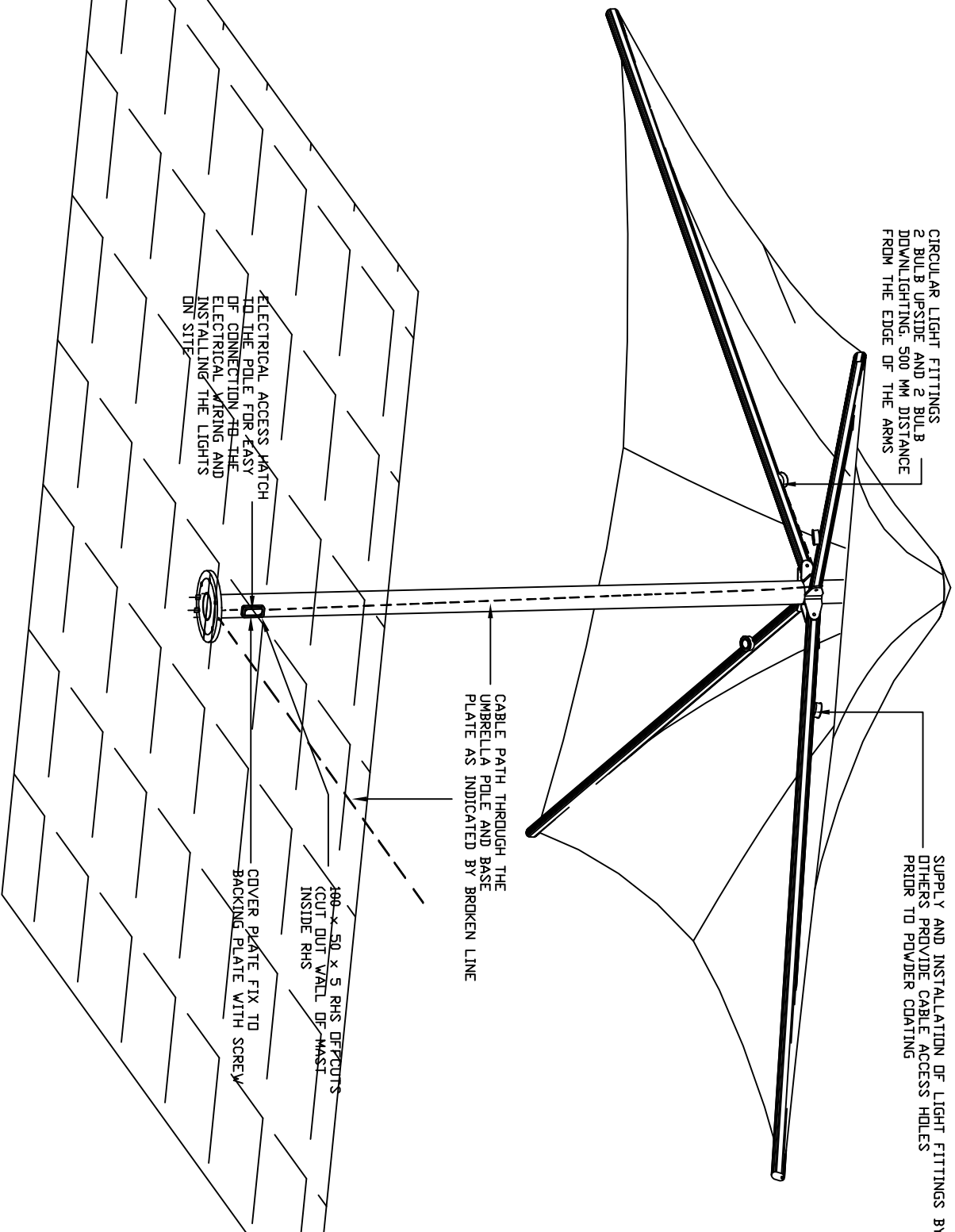
1-877-PLAYSYSTEMS (752-9797)

www.creativesystems.com

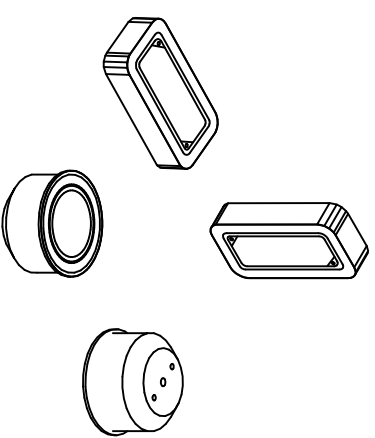
estimating@creativesystems.com

CIRCULAR LIGHT FITTINGS
2 BULB UPSIDE AND 2 BULB
DOWNLIGHTING. 500 MM DISTANCE
FROM THE EDGE OF THE ARMS

SUPPLY AND INSTALLATION OF LIGHT FITTINGS BY
OTHERS PROVIDE CABLE ACCESS HOLES
PRIOR TO POWDER COATING



CIRCULAR LIGHT FITTINGS



ISOMETRIC VIEW

TYPICAL LIGHT FITTING ARRANGEMENT ON HORIZON STANDARD UMBRELLA

Skyspan
Skyspan Umbrellas Pty. Ltd.
www.skyspan-umbrellas.com.au
E-mail: info@skyspan-umbrellas.com.au
Tel: +61(0)7 55 468 155
Fax: +61(0)7 55 468 166

All drawings and details are confidential documents of Skyspan Umbrellas Pty. Ltd. The design and content of Skyspan Umbrellas Pty. Ltd. is the property of Skyspan Umbrellas Pty. Ltd.